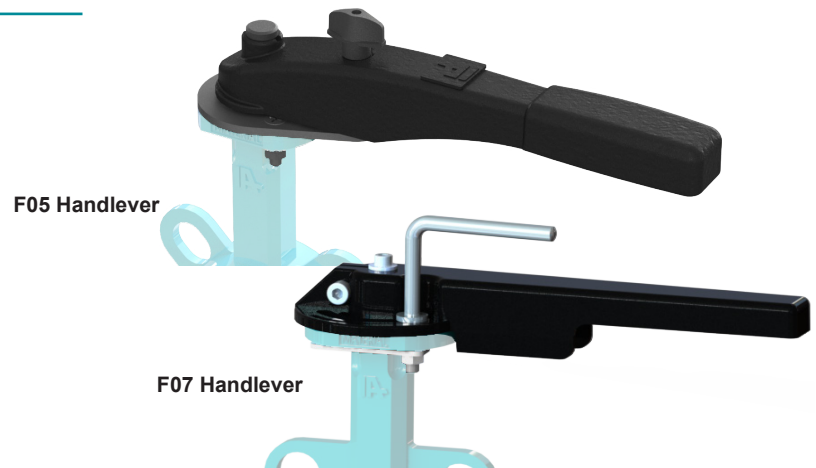


Description

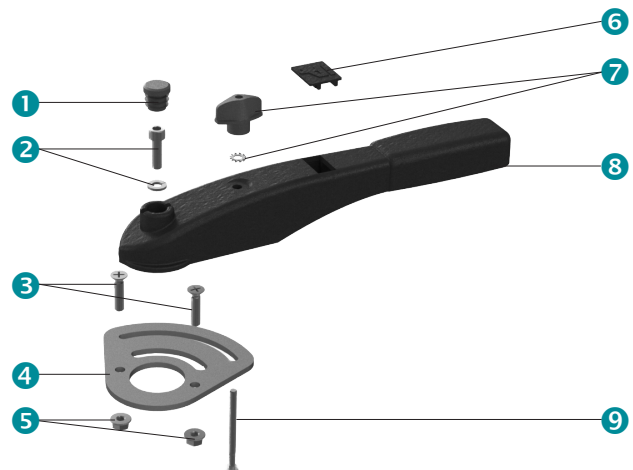
Adjustable Aluminium handlever, Epoxy coated



Construction

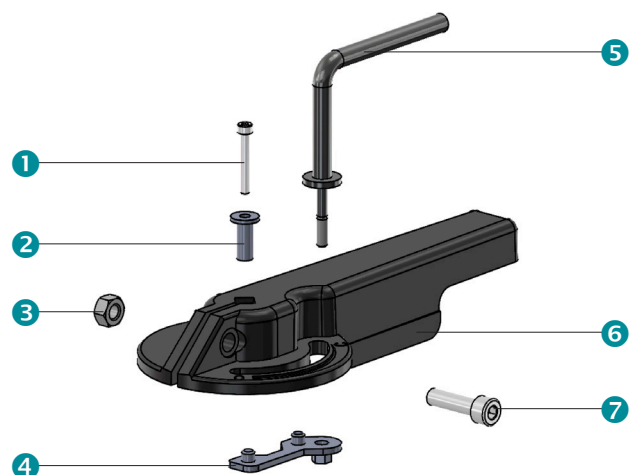
F05 Handlever

1	Plug	Low density Polyethylene
2	Screw and washer	Stainless steel A2-70
3	Screws	Stainless steel A2-70
4	Notch Plate	Stainless steel AISI-304
5	Nuts	Stainless steel A2-70
6	Logo	ABS plastic
7	Fixing device and washer	Plastic and Stainless steel A2-70
8	Handlever	Aluminium coated RAL-9005
9	Fixing screw	Stainless steel A2-70



F07 Handlever

1	Bolt	Stainless steel A4-70
2	Coupling	Stainless steel A4-70
3	Nut	Stainless steel A4-70
4	Fixation	Steel F112 zinc plated
5	Locking lever	Steel F112 zinc plated
6	Lever	Aluminium coated RAL-9005
7	Bolt	Stainless steel A4-70



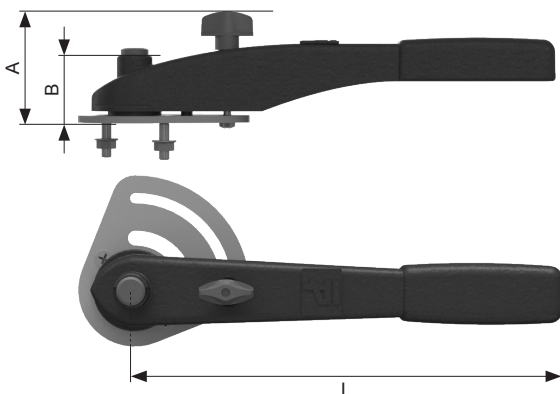
Type code

HRA . F05 08 . 180-V2
 ① ② ③ ④

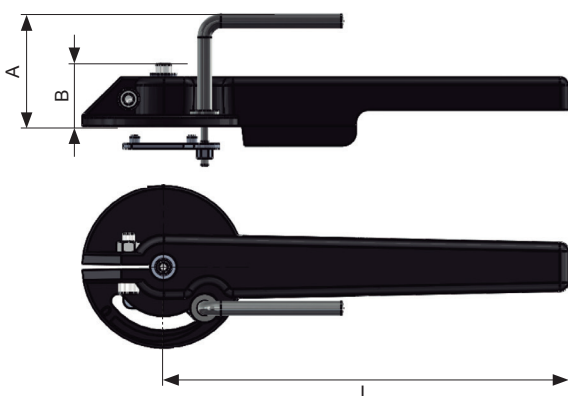
① Actuator type	HRA	Adjustable Aluminium handlever
② Mounting face for valve	F05 - F07	according to EN ISO5211
③ Shaft square	[mm]	Dimension of shaft connection
④ Handlever length	[mm]	

Dimensions

F05 handlever



F07 handlever



Handlever type	A [mm]	B [mm]	L [mm]	Weight [Kg]
HRA.F0508.180-V2	64	43	180	0,4
HRA.F0511.180-V2	64	43	180	0,4
HRA.F0511.250-V2	64	43	243	0,5
HRA.F0708.180-V2	69	36	180	0,4
HRA.F0711.180-V2	69	38	180	0,4
HRA.F0711.250-V2	69	38	250	0,5
HRA.F0714.340-V2	69	38	340	0,6
HRA.F0717.340-V2	69	38	340	0,6