

MNH 310, MNH 510 - Solenoid valve

Description

3/2 and 5/2-way solenoid valve with NAMUR interface 1/2", monostable, spring return, with manual override.

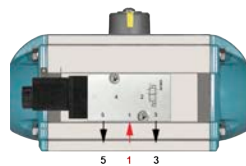
Product features

- 3/2 way solenoid valve **MNH 310 121**
- 5/2 way solenoid valve **MNH 510 121**
- Orifice 1/2"
- Nominal flow 3000 l/min
- Interface NAMUR
- Pressure diff. min. 1,0 bar, max. 10 bar
- Material anodised aluminium
- Temperature range -10°C ÷ 50°C



Dimensions

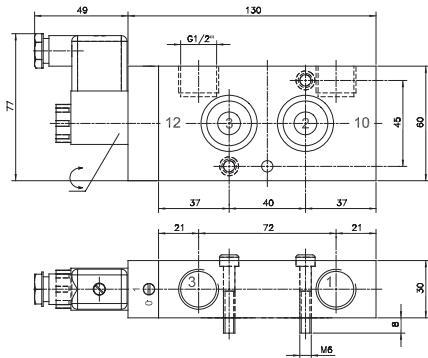
IA750



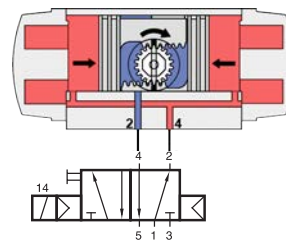
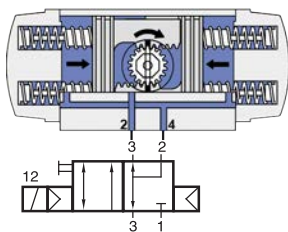
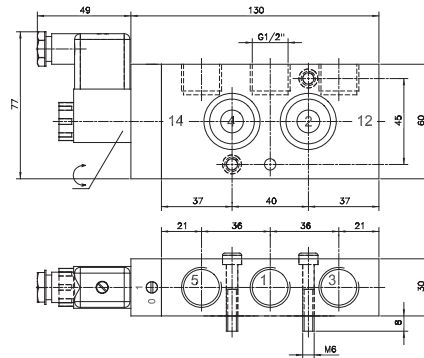
IA700
IA800, IA1000



MNH 310 121



MNH 510 121



IA motion	Solenoid valve	[Watt]	NAMUR	Port size	[kg]
IA650- IA1000	MNH 310 121+MA 22 ** X CE+ST 22 E1N	3	1/2"	G 1/2"	0,70
	MNH 510 121+MA 22 ** X CE+ST 22 E1N		1/2"	G 1/2"	0.70

** voltage of coil 230V/50Hz, 110V/50Hz, 24V/50Hz, 48V=, 24V=, 12V=

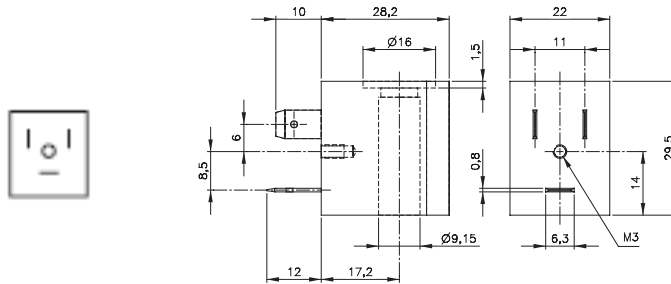


MA 22 - Coil for solenoid valve

Housing made from heat resistant thermoplastic polyester material 30% glass filled, interface industry form B (DIN / ISO 436 50), isolation class F, equipped with appropriate connector, solenoid IP 65.



Dimensions



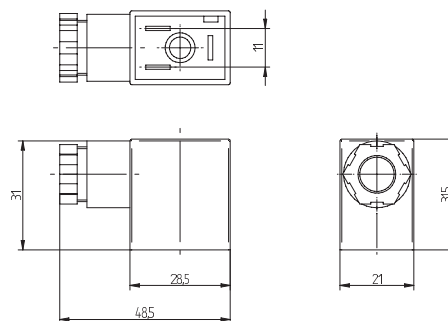
Type	Voltage	Tolerance	Ampere	Power cons.	Connection
MA 22 12DC	12 V=	±10 %	250 mA	3 W	Industry form B
MA 22 24DC	24 V=	±10 %	125 mA	3 W	
MA 22 48DC	48 V=	±10 %	62 mA	3 W	
MA 22 110AC	110 V~	±10 %	45 mA	5 VA	
MA 22 230AC	230 V~	±10 %	22 mA	5 VA	

ST 22 - Plug

Plug with black housing, with flat seal, fastening screw and nut appropriately the system reaches protection class IP 65 in accordance to IEC 60 529.



Dimensions



Type	Operat. voltage	Max. current	Cable diameter	Connection
ST 22	0 - 250 V	10 A	4 - 8 mm	Industry form B

The technical data are noncommittal and do not assure you of any properties. Please refer to our general sales conditions. Modifications without notice.
© 2019 InterApp AG, all rights reserved