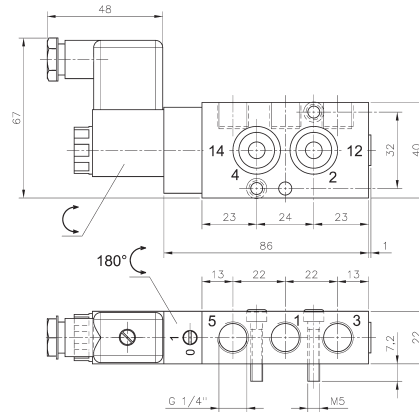
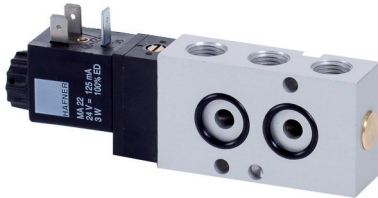
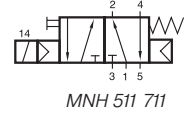
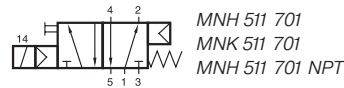
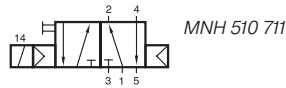
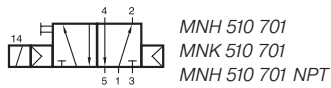


MNH 510 701/MNH 510 711/MNH 511 701 MNH 511 711/MNK 510 701/MNK 511 701



**MNH 510 701/MNH 511 701
MNH 510 701 NPT/MNH 511 701 NPT**

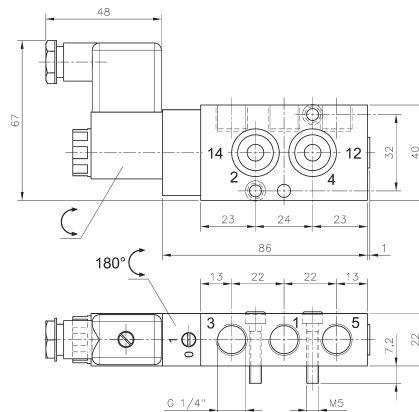
5/2-way solenoid valve, actuated by permanent signal. Interface according to 1/4" NAMUR-standard.

MNH 510 701, MNH 510 711 and MNK 510 701 with pneumatic spring return, MNH 511 701, MNH 511 711 and MNK 511 701 with combined spring.

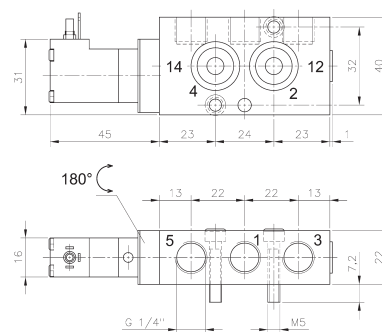
MNH generally with manual override to turn with solenoid operators 230V/50Hz, 110V/50Hz, 24V/50Hz, 48V=, 24V=, 12V=.

MNK with manual override to push with solenoid operators 230V/50Hz, 110V/50Hz, 24V/50Hz, 24V=, 12V=, 6V=.

Delivery includes 1 pin, 2 screws, 2 O-rings.



**MNH 510 711/MNH 511 711
ports 2,4,3,5 are swapped!**



MNK 510 701/MNK 511 701

Type	Port size	Air flow	Operating press.	Power consumption	Weight	
MNH 510 701	G 1/4"	1250 l/min	2 - 10 bar	3 W = / 5 VA ~	0,26 kg	Ex, Snow, B16
MNH 510 711	G 1/4"	1250 l/min	2 - 10 bar	3 W = / 5 VA ~	0,26 kg	Ex, Snow
MNH 511 701	G 1/4"	1250 l/min	2,5 - 10 bar	3 W = / 5 VA ~	0,26 kg	Snow, B16
MNH 511 711	G 1/4"	1250 l/min	2,5 - 10 bar	3 W = / 5 VA ~	0,26 kg	Snow
MNK 510 701	G 1/4"	1250 l/min	2 - 10 bar	1,8 W = / 3 VA ~	0,21 kg	
MNK 511 701	G 1/4"	1250 l/min	2,5 - 10 bar	1,8 W = / 3 VA ~	0,21 kg	
MNH 510 701 NPT	1/4" NPT	1250 l/min	2 - 10 bar	3 W = / 5 VA ~	0,26 kg	Ex, Snow, B16
MNH 511 701 NPT	1/4" NPT	1250 l/min	2,5 - 10 bar	3 W = / 5 VA ~	0,26 kg	Snow, B16