

Description

Flow regulator with NAMUR interface for 3 or 5-way NAMUR valves, precise regulation

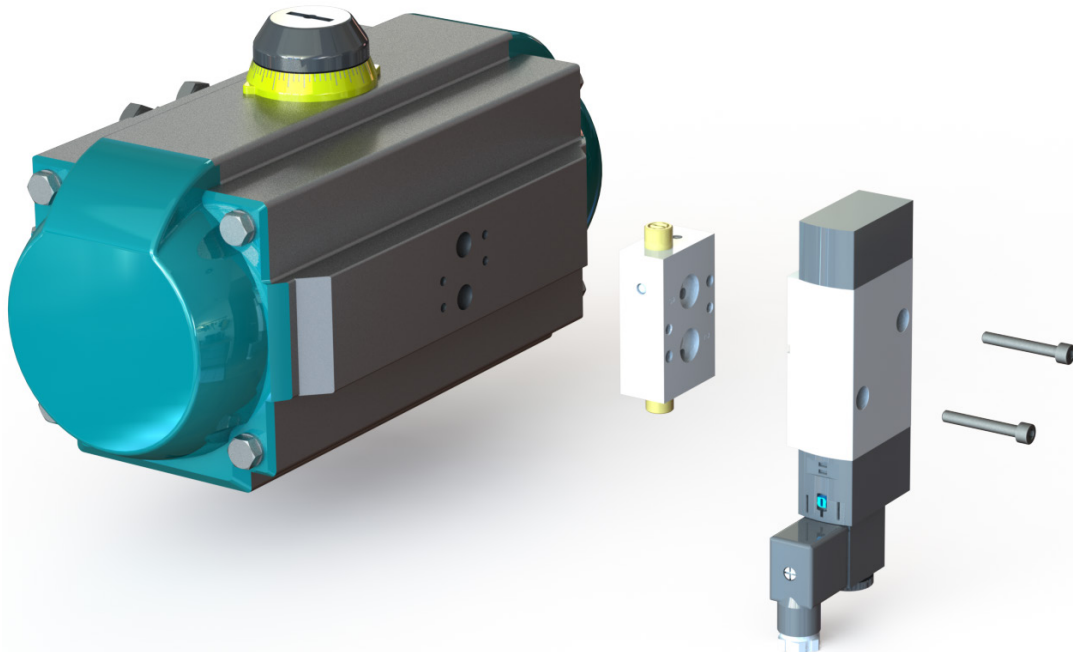
Product features

- Temperature range -20°C - 80°C
- Working pressure 0,5...10 bar
- Interface NAMUR
- Media dry or lubricated noncorrosive gas compatible with NBR o-ring
- Nominal bore 0 - 5 mm
- Air flow 650 l/min



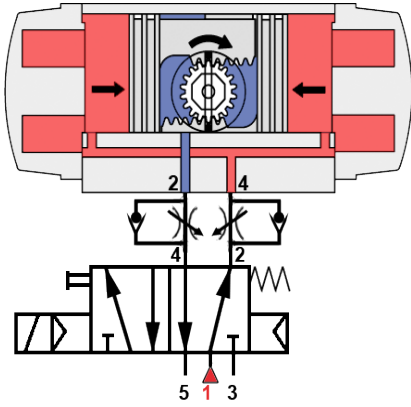
Type code

Flow control	DRN 5 611	double acting actuator	IA050D-IA600D	NAMUR flow control double unidirectional needle valve for double acting actuators. Used to adjust closing and opening speed.
	DRN 3 611	single acting actuator	IA050S-IA600S	NAMUR flow control double unidirectional needle valve for spring return actuators. Used to adjust closing and opening speed (also suitable for use with solenoid valve with air purge function).

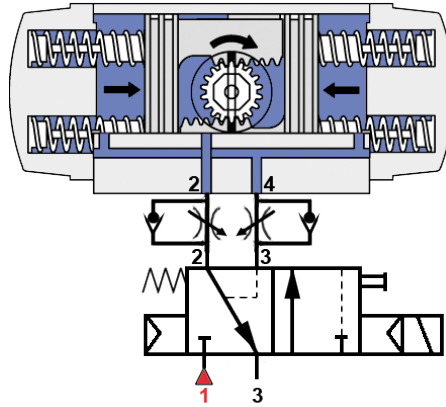


Schema

Double acting actuator



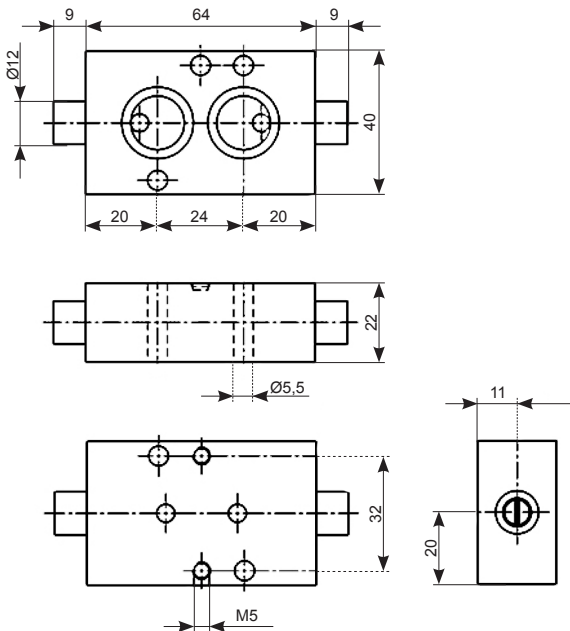
Single acting actuator



Dimensions

Double acting actuator

DRN 5 611



Single acting actuator

DRN 3 611

