

BVE - Ball valve (stainless steel) 1/4"-4"

Description

BVE22 Stainless steel ball valve PN63 with two-piece body, full bore with hand lever

BVA22 Stainless steel ball valve PN63 with two-piece body, full bore, top flange for mounting of actuator

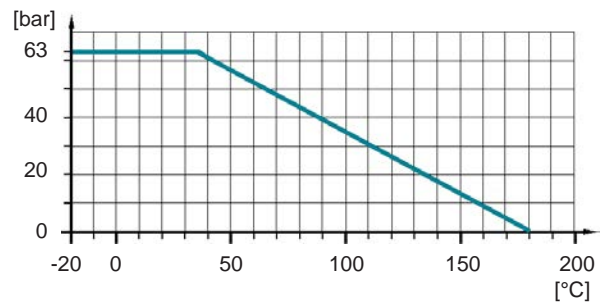
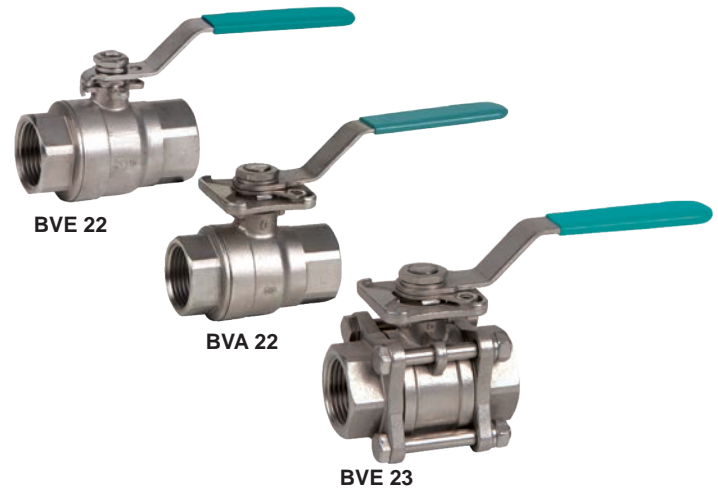
BVE23 Stainless steel ball valve PN63 with 3-piece body, full bore, top flange for mounting of actuator

Product features

- Connection BVE22 Thread
BVA22 Thread
BVE23 Thread / welding ends
- Max. working pressure 63 bar
- Temperature range BVE22: -20°C ÷ 180°C, BVE23: -20°C ÷ 200°C

Pressure / temperature diagram

BVE23/BVA22: For temperatures >100°C a mounting bracket with adapter is mounted between ball valve and actuator.



Type code

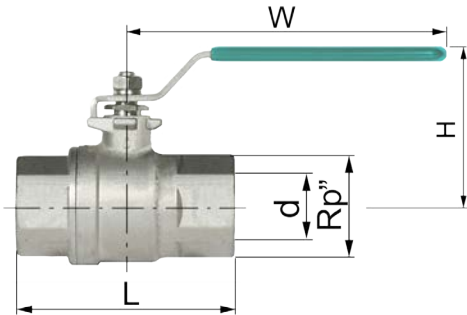
BVE 22 FT . 014 . SST				
1	2	3	4	5
1 Type	BVE			ball valve with handlever
2 Construction	22			2/2 ways, two-piece body
3 Bore, connection	F			full bore
	T			threaded connection DIN EN 10226-1 (DIN 2999)
4 Size	014-300			1/4" - 3"
5 Materials	S			Body stainless steel
	S			Ball stainless steel
	T			Seat ring

BVA 22 FT . 014 . SST				
1	2	3	4	5
1 Type	BVA			Ball valve with top flange
2 Construction	22			2/2 ways, two-piece body
3 Bore, connection	F			Full bore
	T			Threaded ends DIN EN 10226-1 (DIN 2999)
4 Size	014-200			1/4" - 2"
5 Materials	S			Body stainless steel
	S			Ball stainless steel
	T			Seat ring

BVE 23 F T . 014 . SST					
1	2	3	4	5	6
1 Type	BVE				Ball valve with top flange
2 Construction	23				2/2 ways, 3-piece body
3 Bore	F				Full bore
4 Connection	T				Threaded ends DIN EN 10226-1 (DIN 2999)
	B				Butt weld ends ANSI B16.25
	S				Socket weld ends ANSI B16.11
5 Size	014-400				1/4" - 4"
6 Materials	S				Body stainless steel
	S				Ball stainless steel
	T				Seat ring

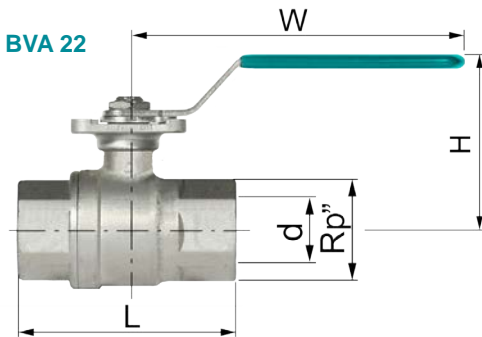
Dimensions

BVE 22



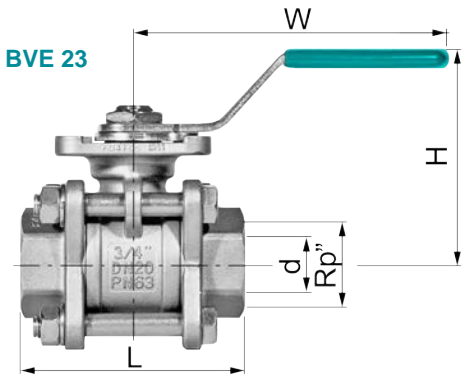
Rp"	d	L	H	W	kv[m ³ /h]	[kg]
1/4	11,0	50	50	104	6	0,21
3/8	12,7	50	50	104	10	0,20
1/2	15,0	55	51,5	104	24	0,24
3/4	20,6	70	62	122	43	0,44
1	25,4	83	65	122	83	0,61
1 1/4	31,8	91	82	180	130	1,08
1 1/2	38,1	103	88	205	205	1,54
2	50,8	120	106	219	340	2,65
2 1/2	65,0	152	119	240	520	4,71
3	80,0	172	135	275	1100	7,29

BVA 22

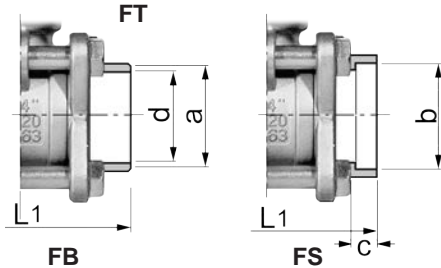


Rp"	d	L	H	W	ISO 5211	kv[m ³ /h]	[kg]
1/4	11,0	50	62	112	F03	6	0.30
3/8	12,7	50	62	112	F03	10	0.30
1/2	15,0	55	63	112	F04	24	0.35
3/4	20,6	70.5	70	138	F04/F05	43	0.56
1	25,4	83	70	138	F04/F05	83	0.78
1 1/4	31,8	91	88	160	F05/F07	130	1.35
1 1/2	38,1	103	94	205	F05/F07	205	1.90
2	50,8	120	100	205	F05/F07	340	2.83

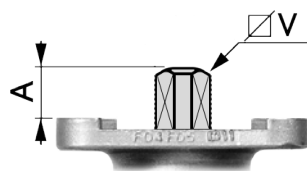
BVE 23



Rp"	d	L	L1	H	W	a	b	c	FT [kg]	FB [kg]	FS [kg]	kv[m ³ /h]
1/4	11	47,6	47,6	60	112	13	14,1	10	0,39	0,37	0,38	6
3/8	12,7	47,6	47,6	60	112	14,7	17,6	10	0,38	0,37	0,38	10
1/2	15	56	55	60	112	17	21,7	10	0,44	0,44	0,44	24
3/4	20	73	73	70	138	22	27,1	14	0,82	0,81	0,82	43
1	25	82	81	70	138	28	33,8	14	1,02	0,99	1,02	83
1 1/4	32	91	91	88	160	35	42,6	15	1,79	1,77	1,78	130
1 1/2	40	104	103	94	205	43	48,7	15	2,46	2,35	2,47	205
2	50	120	120	100	205	54	61,1	19	3,47	3,28	3,40	340
2 1/2	65	155	155	150	330	69	73,8	21	8,50	8,55	8,80	520
3	80	182	182	165	330	87	89,8	24	12,40	11,85	12,35	1100
4	100	220	229	175	340	105	115,5	35	19,65	20,30	19,60	1820



BVA22 / BVE23



Rp"	A	V	ISO 5211
1/4	10	9	F03
3/8	10	9	F03
1/2	11	9	F03/F04
3/4	11	11	F04/F05
1	11	11	F04/F05
1 1/4	15	14	F05/F07
1 1/2	15	14	F05/F07
2	15	14	F05/F07
2 1/2	19	17	F07/F10
3	19	17	F07/F10
4	19	17	F07/F10

InterApp AG
 Grundstrasse 24
 CH-6343 Rotkreuz
 Phone +41 (0) 41 7982233
 Fax +41 (0) 41 7982234
 info@ch.interapp.net

InterApp Ges.m.b.H.
 Kolpingstrasse 19
 A-1230 Wien
 Phone +43 (0) 1 6162371-0
 Fax +43 (0) 1 6162371-99
 info@at.interapp.net

InterApp Italiana
 Via Gramsci 29
 I-20016 Pero (MI)
 Phone +39 02 339371
 Fax +39 02 33937200
 info@it.interapp.net

InterApp GmbH
 Schillerstrasse 50
 D-42489 Wülfrath
 Phone +49(2058) 8909250
 Fax +49(2058) 8909255
 info@de.interapp.net

AVK Válvulas S.A.
InterApp Válvulas S.A.
 Polígono Industrial Francoli, parcela 12
 E-46006 Tarragona
 Phone +34 977 543 008
 Fax +34 977 541 622
 avk@avkvalvulas.com

The technical data are noncommittal and do not assure you of any properties. Please refer to our general sales conditions. Modifications without notice.

© 2017 InterApp AG, all rights reserved